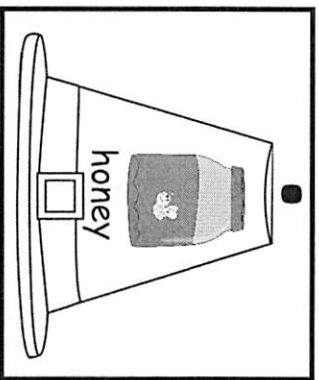
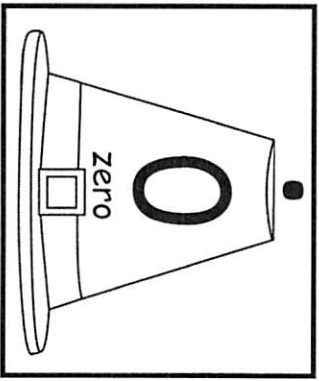
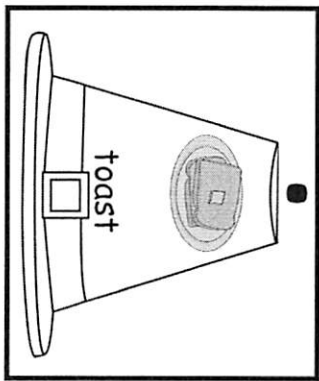
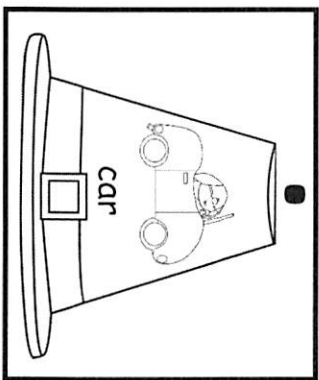
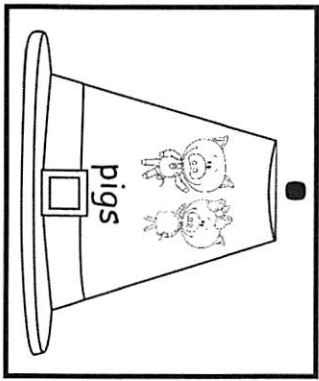
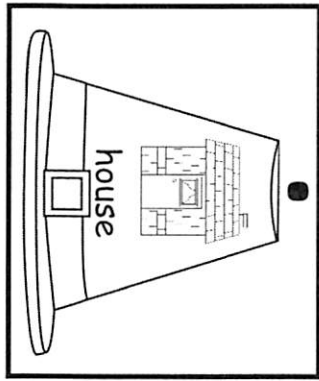
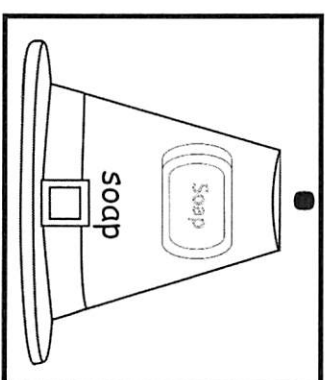
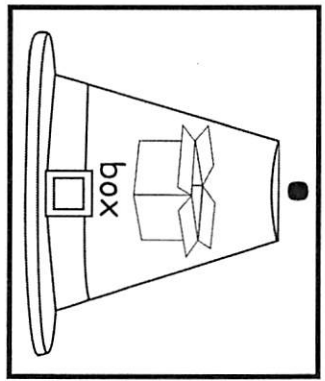
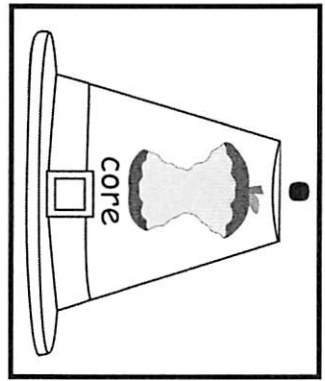


# LITT-FLAP RHYMING HATS

#1



Instructions: Cut out each square and glue on the matching Halloween picture. To create a Halloween pun, glue only on the dot.

#1

